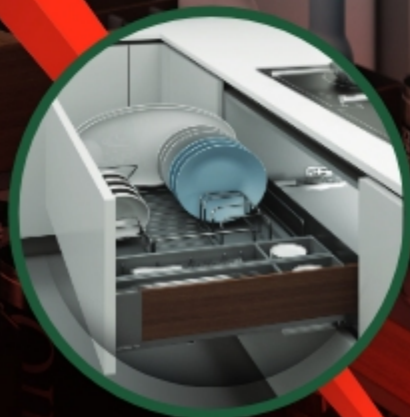
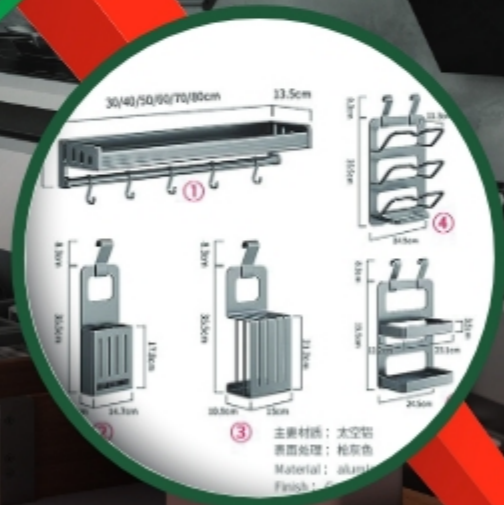




LAHKIRI & KAMOUCHE

HARDWARE - FURNITURE & ACCESSORIES

KITCHEN FURNITURE & ACCESSORIES CATALOGUE



SARL : LAHKIRI & KAMOUCHE

+97450247663
+213654768042
+393477317071
+213553317618

contact@lk-harware.com
www.lk-harware.com



HARDWARE - FURNITURE & ACCESSORIES





LAHKIRI&KAMOUCHE
HARDWARE - FURNITURE & ACCESSORIES

COMPANY PROFILE

LAHKIRI&KAMOUCHE
HARDWARE - FURNITURE &
ACCESSORIES KITCHEN
FURNITURE & ACCESSORIES
CATALOGUE , production and
sales. It has been engaged in
the devement and production
of household hardware
products for nearly 20 years
of experience.



We specialize in the production and sale of kitchen storage solutions, including baskets, storage shelves, pantry units, magic corners, and a wide range of furniture accessories such as hinges and slide rails.

Our mission has always been to provide customers with cost-effective, high-quality home hardware accessories.

Guided by the philosophy of "quality first, customer first, mutual benefit, and win-win cooperation", we continuously strive to expand our market presence while enhancing the professionalism and overall competitiveness of our enterprise. Our goal is to deliver the most professional services, superior products, competitive prices, and prompt after-sales support.

We sincerely look forward to growing and achieving success together with you.



01
Pantry unit and Tall unit
05-24

03
Magic corner series
39-44

05
Multifunctional base basket
73-96

07
Kitchen waste bin
105-116

02
Elevator basket series
25-38

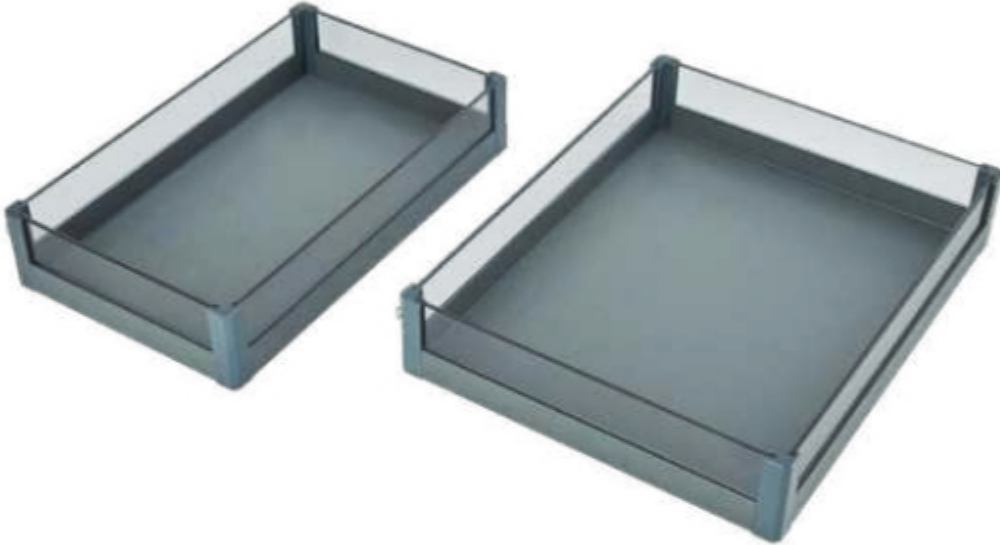
04
Pull out basket series
47-72

06
Dish rack and lazy susan
97-104

Company profile
117-118

GLASS PANTRY UNIT

- Material Glass+aluminium+iron
- Finish Powder coating



Model	Cabinet	Dimension (D*W*H)mm	Description
GPUG454	450	500*385*1250-1550	Monster in a 4-layer glass buffer
GPUG455	450	500*385*1550-1850	Monster in 5-layer glass buffer
GPUG456	450	500*385*1850-2150	Monster in a 6-layer glass buffer
GPUG457	450	500*385*1850-2150	Monster in 7-layer glass buffer

01

**PANTRY UNIT
AND TALL UNIT**

GLASS TALL UNIT

- Material Glass+aluminium+iron
- Finish Powder coating

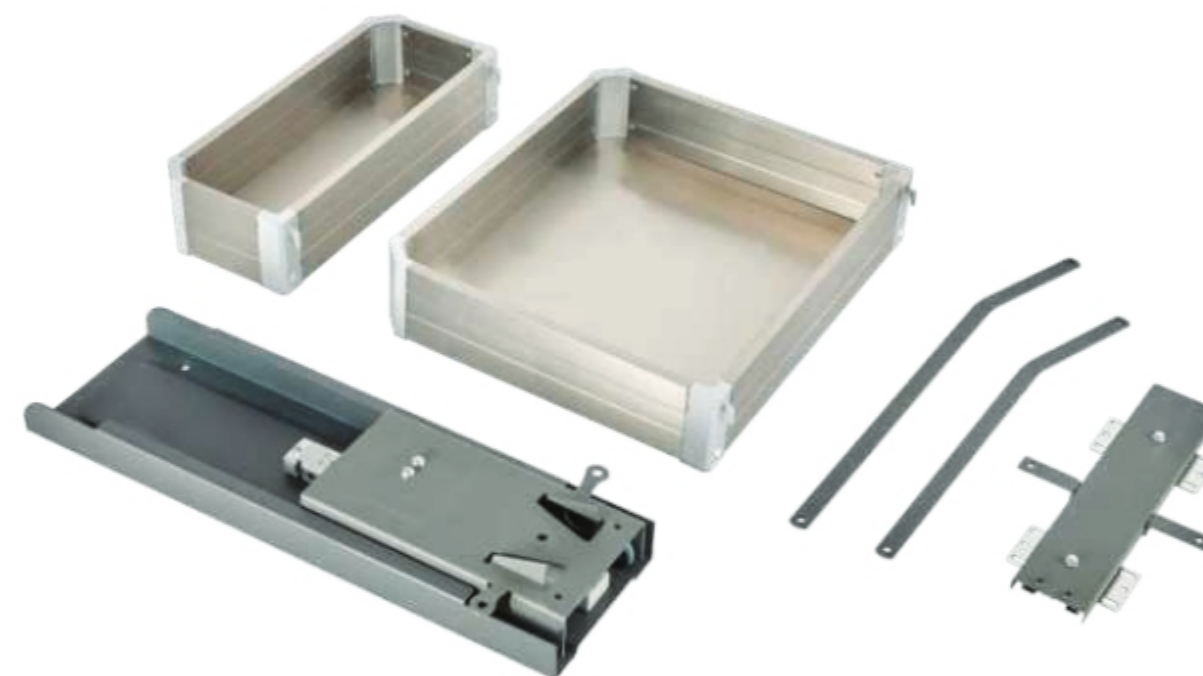


Model	Cabinet	Dimension (D*W*H)mm	Description
GTUG454	450	500*390*1220-1520	4-layer glass cushioned high-depth basket
GTUG455	450	500*390*1520-1820	5-layer glass cushioning, deep blue
GTUG456	450	500*390*1920-2220	6-layer glass cushioned high-depth basket
GTUG404	400	500*340*1220-1520	4-layer glass cushioned high-depth basket
GTUG405	400	500*340*1520-1820	5-layer glass cushioned high-depth basket
GTUG406	400	500*340*1920-2220	6-layer glass cushioned high-depth basket
GTUG304	300	500*240*1220-1520	4-layer glass cushioned high-depth basket
GTUG305	300	500*240*1520-1820	5-layer glass cushioned high-depth basket
GTUG306	300	500*240*1920-2220	6-layer glass cushioning, deep blue
GTUG206	200	500*140*1920-2220	6-layer glass cushioning, deep blue



STAINLESS STEEL PANTRY UNIT

● Material	201 Stainless steel+iron
● Finish	Powder coating



Model	Cabinet	Dimension (D*W*H)mm	Description
GPUS454	450	500*385*1220-1550	Monster in 4-layer 201 stainless steel buffer
GPUS455	450	500*385*1550-1850	Monster in a 5-layer 201 stainless steel buffer
GPUS456	450	500*385*1850-2150	Monster in a 6-layer 201 stainless steel buffer
GPUS604	600	500*540*1220-1550	Monster in 4-layer 201 stainless steel buffer
GPUS605	600	500*540*1550-1850	Monster in a 5-layer 201 stainless steel buffer
GPUS606	600	500*540*1850-2150	Monster in a 6-layer 201 stainless steel buffer

FLAT WIRE PANTRY UNIT

● Material	Iron
● Finish	Chrome plated+Powder coating



Model	Cabinet	Dimension (D*W*H)mm	Description
GPUB454	450	500*385*1250-1550	4-layer flat-line buffer for monsters
GPUB455	450	500*385*1550-1850	5-layer flat-line buffer for monsters
GPUB456	450	500*385*1850-2150	6-layer flat-line buffer monster
GPUB457	450	500*385*1850-2150	7-layer flat-line buffer monster

MDF FLAT WIRE PANTRY UNIT

● Material	Iron+MDF
● Finish	Chrome plated/Powder coating

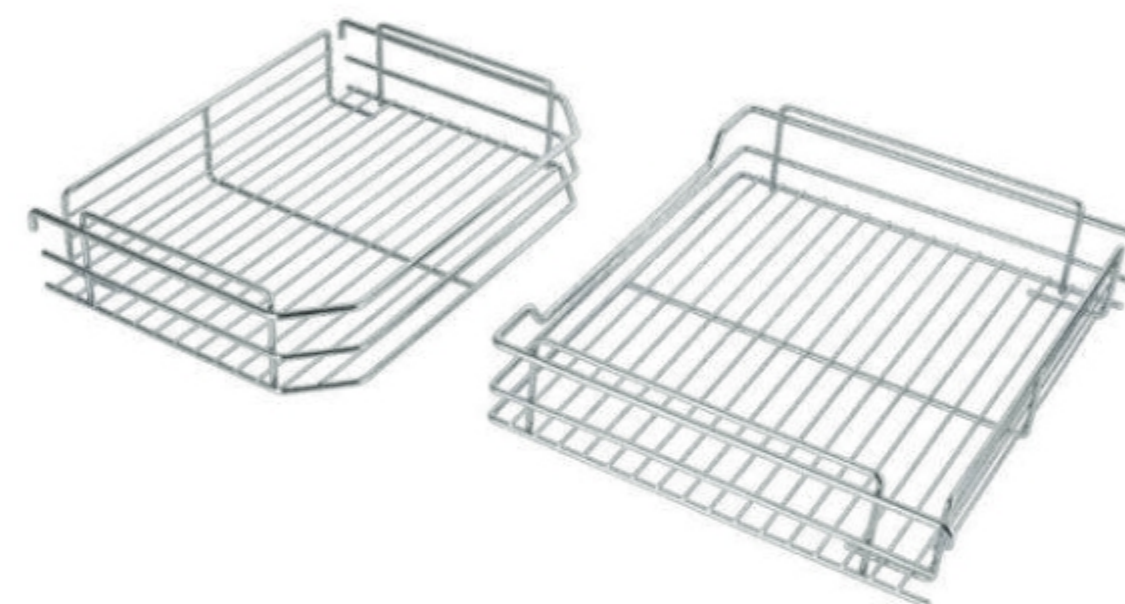


Model	Cabinet	Dimension (D*W*H)mm	Description
GPUM454	450	500*385*1250-1550	4MDF plate flat line buffer monster
GPUM455	450	500*385*1550-1850	5MDF root showed neutral substances
GPUM456	450	500*385*1850-2150	6-layer MDF board flat wire punch neutral potential
GPUM457	450	500*385*1850-2150	7-layer MDF board flat line buffer monster
GPUM604	600	500*525*1250-1550	Searching for aid in the middle stage of the 4-layer MDF board.
GPUM605	600	500*525*1550-1850	S MDF flat wire punching neutral material
GPUM606	600	500*525*1850-2150	6-layer MDF board flat wire buffer neutral material
GPUM607	600	500*525*1850-2150	7-layer MDF board flat line buffer monster



WIRE BASKET PANTRY UNIT

● Material	Iron
● Finish	Chrome plated+Powder coating



Model	Cabinet	Dimension (D*W*H)mm	Description
GPU454	450	500*385*1250-1550	Monsters in 4-layer blue buffer
GPU455	450	500*385*1550-1850	Monsters in 5-layer blue buffer
GPU456	450	500*385*1850-2150	Monsters in 6-layer blue buffer
GPU457	450	500*385*1850-2150	Monsters in the 7-layer blue buffer
GPU604	600	500*525*1250-1550	Monsters in 4-layer blue buffer
GPU605	600	500*525*1550-1850	Monsters in 5-layer blue buffer
GPU606	600	500*525*1850-2150	Monsters in 6-layer blue buffer
GPU607	600	500*525*1850-2150	Monsters in the 7-layer blue buffer

WIRE BASKET TALL UNIT

● Material	Iron
● Finish	Chrome plated+Powder coating



Model	Cabinet	Dimension (D*W*H)mm	Description
GTU454	450	500*390*1220-1520	450 container, high and deep cover 4th floor
GTU455	450	500*390*1520-1820	450 containers, 5-layer tall and deep baskets
GTU456	450	500*390*1920-2220	450 containers, tall and deep baskets, 6 layers
GTU404	400	500*340*1220-1520	400 containers, tall and deep baskets, 4 layers
GTU405	400	500*340*1520-1820	400 containers, 5-layer high-density baskets
GTU406	400	500*340*1920-2220	400 containers, tall and deep baskets, 6 layers
GTU304	300	500*240*1220-1520	300 containers, tall and deep baskets, 4 layers
GTU305	300	500*240*1520-1820	300 containers, tall and deep baskets, 5 layers
GTU306	300	500*240*1920-2220	300 containers, dark blue, 6 layers
GTU206	200	500*140*1920-2220	200 containers, dark blue, 6 layers
GTU156	150	500*100*1920-2220	150 containers, tall and deep baskets, 6 layers

SIDE PULL OUT WIRE BASKET TALL UNIT

- Material Iron
- Finish Chrome plated+Powder coating

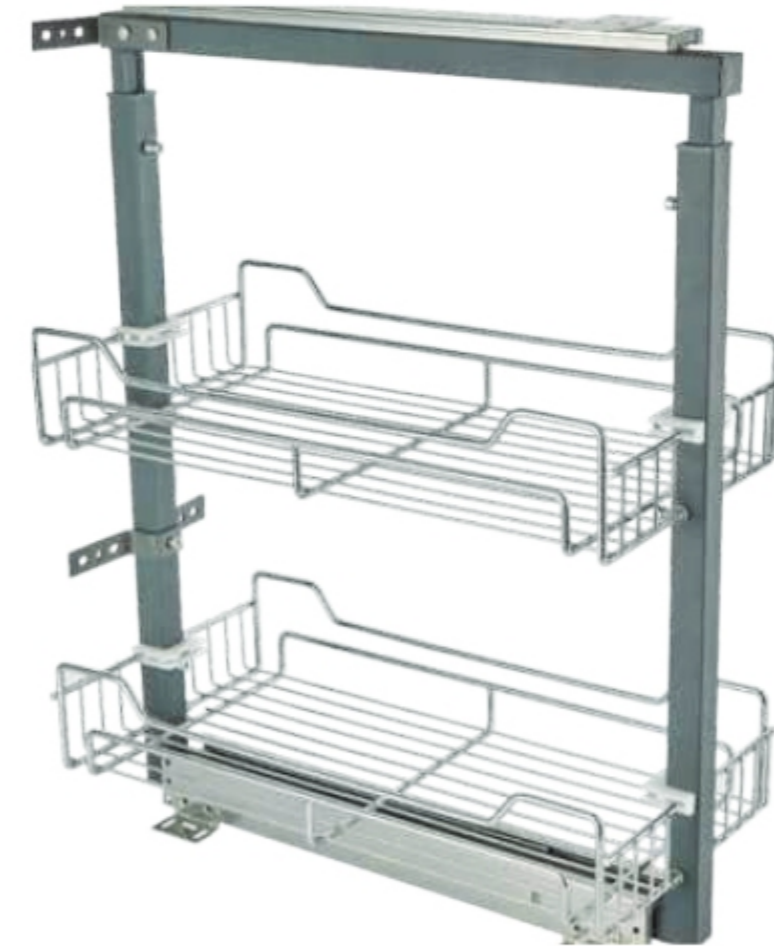


Model	Cabinet	Dimension (D*W*H)mm	Description
GSTU205	200	490*150*1520	Five-layer damped side pull-out basket for tall cabinet
GSTU255	250	490*180*1520	Five-layer damped side pull-out basket for tall cabinet
GSTU305	300	490*230*1520	Five-layer damped side pull-out basket for tall cabinet



2 LAYERS WIRE BASKET TALL UNIT

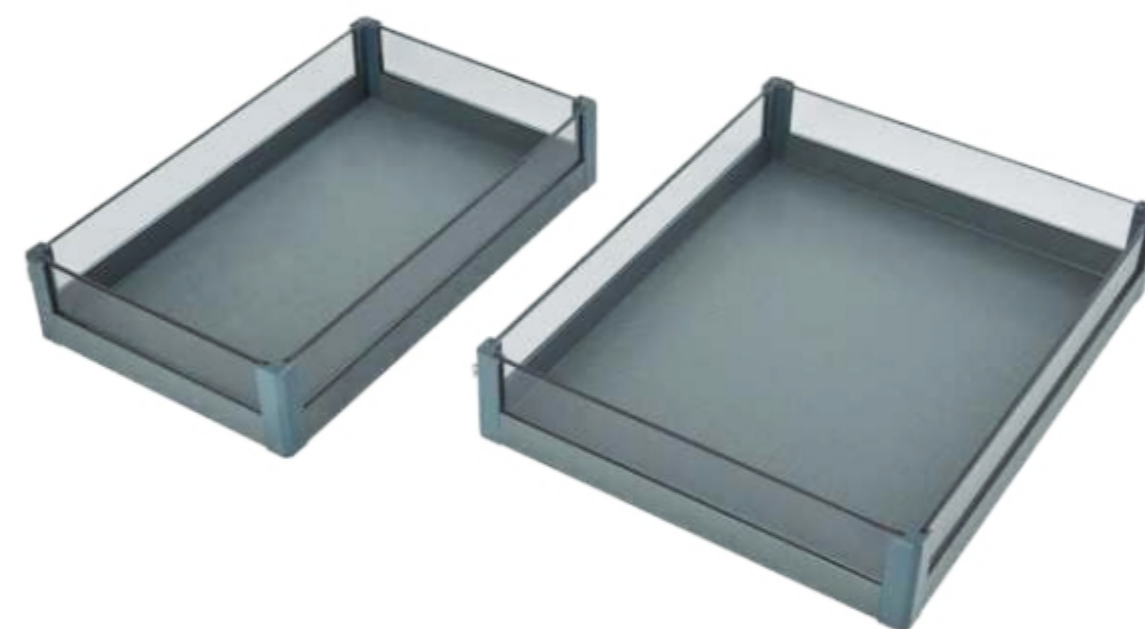
● Material	Iron
● Finish	Chrome plated+Powder coating
● Slide	Ball bearing slide



Model	Cabinet	Dimension (D*W*H)mm	Description
GTU302	300	450*240*590-790	2-layer high-density basket
GTU402	400	450*340*590-790	2-layer high-density basket

2 LAYERS GLASS PANTRY UNIT

● Material	Glass+aluminium+iron
● Finish	Powder coating



Model	Cabinet	Dimension (D*W*H)mm	Description
GPUG452	450	530*350*630	Double-glazed little monster

PULL DOWN ELEVATOR BASKET

● Material	Iron
● Finish	Powder coating



Model	Cabinet	Dimension (D*W*H)mm	Description
GEB60I	600	280*565*550	Steel plate blue lifting platform (adjustable force)
GEB70I	700	280*665*550	Steel plate blue lifting platform (adjustable force)
GEB80I	800	280*765*550	Steel plate blue lifting platform (adjustable force)
GEB90I	900	280*865*550	Steel plate blue lifting platform (adjustable force)

02

ELEVATOR BASKET SERIES

PULL DOWN ELEVATOR MDF BASKET

● Material	MDF+iron
● Finish	Powder coating



Model	Cabinet	Dimension (D*W*H)mm	Description
GEB60M-1	600	280*565*550	MDF flatbed basket lifting platform (adjustable force)
GEB70M-1	700	280*665*550	MDF flatbed basket lifting platform (adjustable force)
GEB80M-1	800	280*765*550	MDF flatbed basket lifting platform (adjustable force)
GEB90M-1	900	280*865*550	MDF flatbed basket lifting platform (adjustable force)

PULL DOWN ELEVATOR GLASS BASKET

● Material	Glass+iron
● Finish	Powder coating



Model	Cabinet	Dimension (D*W*H)mm	Description
GEB60G	600	280*565*550	Glass basket lift (adjustable force)
GEB70G	700	280*665*550	Glass basket lift (adjustable force)
GEB80G	800	280*765*550	Glass basket lift (adjustable force)
GEB90G	900	280*865*550	Glass basket lift (adjustable force)



PULL DOWN ELEVATOR DISH RACK

● Material	Iron
● Finish	Chrome plated+Powder coating



Model	Cabinet	Dimension (D*W*H)mm	Description
GEB60B	600	280*565*550	Adjustable pressure plate/dish rack model
GEB70B	700	280*665*550	Adjustable pressure dish rack with lifting mechanism
GEB80B	800	280*765*550	Adjustable pressure plate/dish rack model
GEB90B	900	280*865*550	Adjustable pressure plate/dish rack model

PULL DOWN ELEVATOR MDF BASKET

- Material MDF+iron
- Finish Powder coating



Model	Cabinet	Dimension (D*W*H)mm	Description
GEB60M	600	300*565*590	MDF board lift
GEB70M	700	300*665*590	MDF board lift
GEB80M	800	300*765*590	MDF board lift

STAINLESS STEEL ELEVATOR DISH RACK

- Material 201 Stainless steel+iron
- Finish Powder coating



Model	Cabinet	Dimension (D*W*H)mm	Description
GEB60-SS	600	300*565*590	Stainless Steel 201 Lifting Dish Rack
GEB70-SS	700	300*665*590	Stainless Steel 201 Lifting Dish Rack
GEB80-SS	800	300*765*590	Stainless Steel 201 Lifting Dish Rack
GEB90-SS	900	300*865*590	Stainless Steel 201 Lifting Dish Rack

PULL DOWN ELEVATOR WIRE BASKET

● Material	Iron
● Finish	Chrome plated+Powder coating



Model	Cabinet	Dimension (D*W*H)mm	Description
GEB60	600	300*565*590	Lift wire basket model
GEB70	700	300*665*590	Lift wire basket model
GEB80	800	300*765*590	Lift wire basket model
GEB90	900	300*865*590	Lift wire basket model

WIRE BASKET MAGIC CORNER

- Material Iron
- Finish Chrome plated+Powder coating



Model	Cabinet	Dimension (D*W*H)mm	Description
GMC90B	900	498*860*530	Left and right universal corner basket



MAGIC CORNER SERIES

GLASS MAGIC CORNER

● Material	Glass+MDF+iron
● Finish	Powder coating

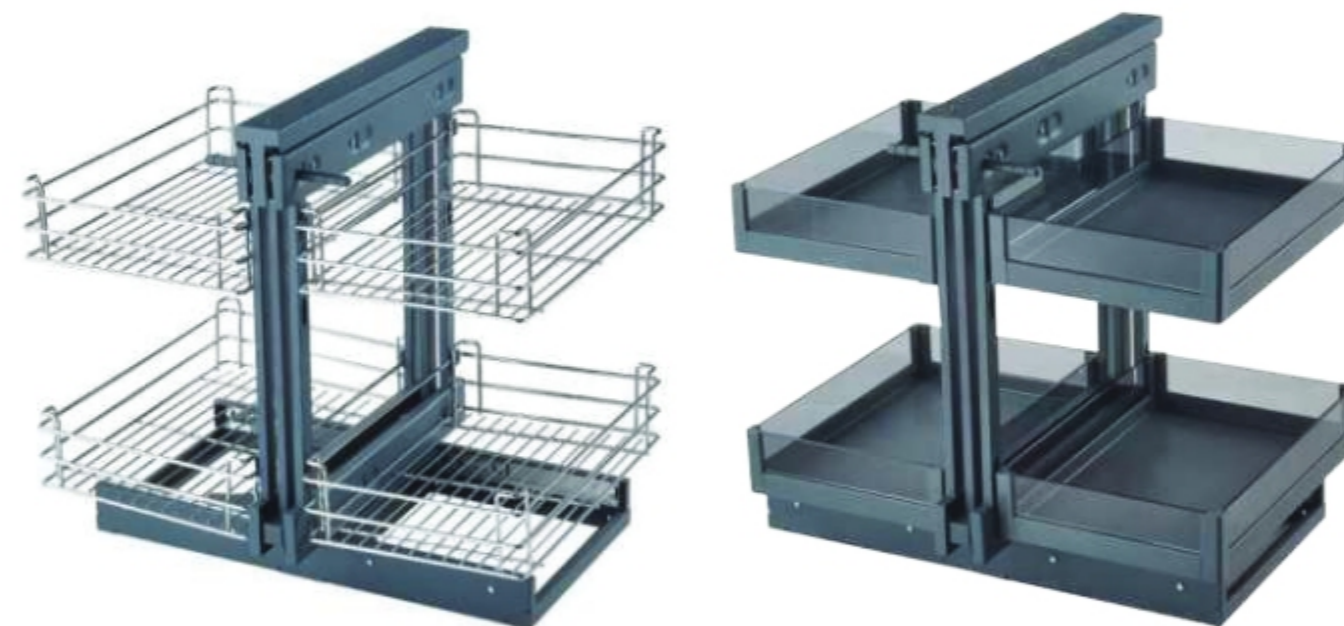


Model	Cabinet	Dimension (D*W*H)mm	Description
GMC90BG	900	520*860*520	Universal corner basket for glass



MAGIC CORNER

● Material	Glass+iron
● Finish	Powder coating/Chrome plated



Model	Cabinet	Dimension (D*W*H)mm	Description
GMC90AG	800/900	480*640*590	Fully open, universal glass blue monster
GMC90A	800/900	480*680*590	Fully open, universally compatible, line basket style, little monster.

SWING TRAY (NON-SLIP MAT OPTIONAL)

● Material	MDF+iron
● Finish	Chrome plated/Powder coating



Model	Cabinet	Dimension (D*W*H)mm	Description
GST90CM-1	900	495*865*650-750	Left/right flying saucer style (anti-slip mat can be added)

PULL OUT FLAT WIRE BASKET

● Material	Stainless steel+plastic
● Finish	Electrolysis
● Slide	Concealed slide



Monster in a 4-layer glass buffer

Model	Cabinet	Dimension (D*W*H)mm	Description
GKB60C-1	600	425*520*145-210	Stainless steel flat wire three-sided pull-out basket with damping rail (with water tray) - flat basket
GKB70C-1	700	425*620*145-210	Stainless steel flat wire three-sided pull-out basket with damping rail (with water tray) - flat basket
GKB80C-1	800	425*720*145-210	Stainless steel flat wire three-sided pull-out basket with damping rail (with water tray) - flat basket
GKB90C-1	900	425*820*145-210	Stainless steel flat wire three-sided pull-out basket with damping rail (with water tray) - flat basket

04

PULL OUT BASKET SERIES



PULL OUT FLAT WIRE DISH BASKET

● Material	Stainless steel+plastic
● Finish	Electrolysis
● Slide	Concealed slide



Model	Cabinet	Dimension (D*W*H)mm	Description
GKB60C-2	600	425*520*145-210	Stainless steel flat wire three-sided pull-out basket with damping rail (with water tray) - Disc basket
GKB70C-2	700	425*620*145-210	Stainless steel flat wire three-sided pull-out basket with damping rail (with water tray) - dish basket
GKB80C-2	800	425*720*145-210	Stainless steel flat wire three-sided pull-out basket with damping rail (with water tray) - dish basket
GKB90C-2	900	425*820*145-210	Stainless steel flat wire three-sided pull-out basket with damping rail(with water tray) - dish basket



PULL OUT WIRE BASKET

● Material	Iron+plastic
● Finish	Nano plated
● Slide	Concealed slide



Model	Cabinet	Dimension (D*W*H)mm	Description
GKB40B	400	450*295*210	Round wire four-sided damping rail furnace platform flat blue
GKB50B	500	450*395*210	Round wire four-sided damping rail furnace platform flat blue
GKB60B	600	450*495*210	Round wire four-sided damping rail furnace platform flat blue
GKB80B	800	450*695*210	Round wire four-sided damping rail furnace platform flat blue

PULL OUT WIRE BASKET

● Material	Iron+plastic
● Finish	Nano plated
● Slide	Concealed slide



Model	Cabinet	Dimension (D*W*H)mm	Description
GKB40B-2	400	450*320*190	Round wire four-sided damping rail stove plate basket
GKB50B-2	500	450*420*190	Round wire four-sided damping rail stove plate basket
GKB60B-2	600	450*520*190	Round wire four-sided damping rail stove plate basket
GKB80B-2	800	450*720*190	Round wire four-sided damping rail stove plate basket

PULL OUT WIRE BASKET

● Material	Iron+plastic
● Finish	Powder coating
● Slide	Concealed slide



Model	Cabinet	Dimension (D*W*H)mm	Description
GKB600-1	600	460*520*145-190	Multi-functional dish rack with round, flat lines and three sides, equipped with damping rails (and a drip tray).
GKB700-1	700	460*620*145-190	Multi-functional dish rack with round, flat lines and three sides, equipped with damping rails (and a drip tray).
GKB800-1	800	460*720*145-190	Multi-functional dish rack with round, flat lines and three sides, equipped with damping rails (and a drip tray).



PULL OUT WIRE BASKET

● Material	Iron+plastic
● Finish	Powder coating
● Slide	Concealed slide



Model	Cabinet	Dimension (D*W*H)mm	Description
GKB600	600	460*520*145-190	Round flat wire with three-sided flat basket and damping rail
GKB700	700	460*620*145-190	Round flat wire with three-sided flat basket and damping rail
GKB800	800	460*720*145-190	Round flat wire with three-sided flat basket and damping rail

PULL OUT GLASS BASKET

● Material	Glass+aluminium+iron
● Finish	Powder coating
● Slide	Concealed slide



Model	Cabinet	Dimension (D*W*H)mm	Description
GKB60AG-1P	600	440*564*180	All-aluminum three-sided flat basket with damping rail
GKB70AG-1P	700	440*664*180	All-aluminum three-sided flat basket with damping rail
GKB80AG-1P	800	440*764*180	All-aluminum three-sided flat basket with damping rail
GKB90AG-1P	900	440*864*180	All-aluminum three-sided flat basket with damping rail



PULL OUT GLASS BASKET

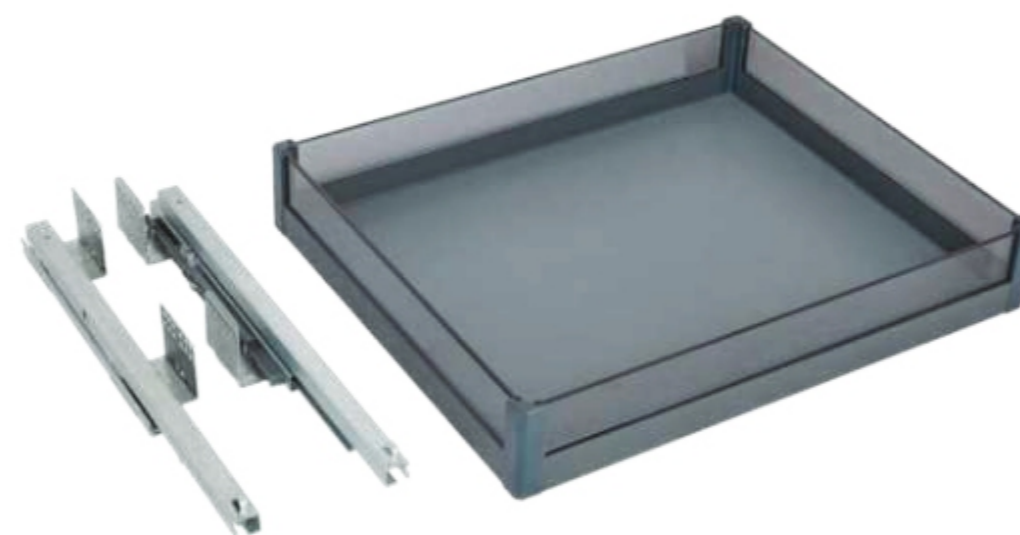
● Material	Glass+aluminium+plastic
● Finish	Powder coating
● Slide	Concealed slide



Model	Cabinet	Dimension (D*W*H)mm	Description
GKB60AG-1D	600	440*564*180	All-aluminum partitioned multi-functional dish rack with damping rail
GKB70AG-1D	700	440*664*180	All-aluminum partitioned multi-functional dish rack with damping rail
GKB80AG-1D	800	440*764*180	All-aluminum partitioned multi-functional dish rack with damping rail
GKB90AG-1D	900	440*864*180	All-aluminum partitioned multi-functional dish rack with damping rail

PULL OUT GLASS BASKET

● Material	Glass+aluminium+plastic
● Finish	Powder coating
● Slide:	concealed slide



Model	Cabinet	Dimension (D*W*H)mm	Description
GKB45AG-2P	450	440*414*130	Glass four-sided furnace basket with damping rail
GKB50AG-2P	500	440*464*130	Glass four-sided furnace basket with damping rail
GKB60AG-2P	600	440*564*130	Glass four-sided furnace basket with damping rail

PULL OUT MDF GLASS BASKET

● Material	Glass+MDF+plastic
● Finish	Powder coating
● Slide	concealed slide



Model	Cabinet	Dimension (D*W*H)mm	Description
GKB60AG-2D	450	440*414*180	Glass multi-functional tray with four-sided basket and damping rail
GKB70AG-2D	500	440*464*180	Glass multi-functional tray with four-sided basket and damping rail
GKB80AG-2D	600	440*564*180	Glass multi-functional tray with four-sided basket and damping rail

304 STAINLESS STEEL PULL OUT BASKET

- Material Stainless steel
- Finish Electrolysis
- Slide Ball bearing slide with soft closing



Model	Cabinet	Dimension (D*W*H)mm	Description
GKB40SN	400	450*365*110	304 stainless steel flat blue with steel ball buffer rail
GKB50SN	500	450*465*110	304 stainless steel flat-value ball buffer rail
GKB60SN	600	450*565*110	304 stainless steel flat-type ball bearing buffer rail
GKB80SN	800	450*765*110	304 stainless steel flat blue with steel ball buffer rail

304 STAINLESS STEEL PULL OUT BASKET

- Material Stainless steel
- Finish Electrolysis
- Slide Ball bearing slide with soft closing



Model	Cabinet	Dimension (D*W*H)mm	Description
GKB40SN-2	400	450*365*110	304 stainless steel cup basket with ball bearing buffer rail
GKB50SN-2	500	450*465*110	304 stainless steel cup basket with ball bearing buffer rail
GKB60SN-2	600	450*565*110	304 stainless steel cup basket with ball bearing buffer rail
GKB80SN-2	800	450*765*110	304 stainless steel cup basket with ball bearing buffer rail

304 STAINLESS STEEL PULL OUT BASKET

- Material Stainless steel
- Finish Electrolysis
- Slide Ball bearing slide with soft closing



Model	Cabinet	Dimension (D*W*H)mm	Description
GKB40SN-1	400	450*365*110	304 stainless steel disc basket with ball bearing buffer rail
GKB50SN-1	500	450*465*110	304 stainless steel disc basket with ball bearing buffer rail
GKB60SN-1	600	450*565*110	304 stainless steel disc basket with ball bearing buffer rail
GKB80SN-1	800	450*765*110	304 stainless steel disc basket with ball bearing buffer rail

PULL OUT BASKET

- Material Stainless steel
- Finish Electrolysis
- Slide Concealed slide



Model	Cabinet	Dimension (D*W*H)mm	Description
GPT.12SS	400	457*355*115	Disc basket with damping rail
GPT.14SS	450	457*406*115	Disc basket with damping rail
GPT.16SS	500	457*457*115	Disc basket with damping rail
GPT.18SS	600	457*508*115	Disc basket with damping rail

PULL OUT BASKET

- Material Stainless steel
- Finish Electrolysis
- Slide Concealed slide



Model	Cabinet	Dimension (D*W*H)mm	Description
GAP12SS	400	457*355*115	Flat basket with damping rail
GAP14SS	450	457*406*115	Flat basket with damping rail
GAP16SS	500	457*457*115	Flat blue with damping rail
GAP18SS	600	457*508*115	Flat blue with damping rail

PULL OUT BASKET

- Material Stainless steel
- Finish Electrolysis
- Slide Concealed slide



Model	Cabinet	Dimension (D*W*H)mm	Description
GGT12SS	400	457*355*115	Blue cup with damping rail
GGT14SS	450	457*406*115	Blue cup with damping rail
GGT16SS	500	457*457*115	Blue cup with damping rail
GGT18SS	600	457*508*115	Blue cup with damping rail

REMOVABLE PULL OUT BASKET

- Material Iron
- Finish Chrome plated
- Slide Ball bearing slide



Model	Cabinet	Dimension (D*W*H)mm	Description
GKB35-BS	350	533*279*102	American-style countertop pull-out basket
GKB40-BS	400	533*356*102	American-style countertop pull-out basket
GKB45-BS	450	533*432*102	American-style countertop pull-out basket
GKB50-BS	500	533*508*102	American-style countertop pull-out basket
GKB55-BS	550	533*559*102	American-style countertop pull-out basket

PULL OUT BASKET

- Material Iron
- Finish Chrome plated
- Slide Ball bearing slide



Model	Cabinet	Dimension (D*W*H)mm	Description
GKB40P-2	400	430*365*130	slanted stackable stovetop basket
GKB45P-2	450	430*365*130	slanted stackable stovetop basket
GKB50P-2	500	430*365*130	slanted stackable stovetop basket
GKB60P-2	600	430*365*130	slanted stackable stovetop basket

PULL OUT BASKET

● Material	Iron
● Finish	Chrome plated
● Slide	Ball bearing slide



Model	Cabinet	Dimension (D*W*H)mm	Description
GKB30P	300	440*270*140	Four-sided stove flat basket
GKB40P	400	440*370*140	Four-sided stove flat basket
GKB45P	450	440*415*140	Four-sided stove flat basket
GKB50P	500	440*470*140	Four-sided stove flat basket
GKB60P	600	440*570*140	Four-sided stove flat basket
GKB70P	700	440*665*140	Four-sided stove flat basket
GKB80P	800	440*765*140	Four-sided stove flat basket
GKB90P	900	440*865*140	Four-sided stove flat basket

PULL OUT BASKET

● Material	Iron
● Finish	Chrome plated
● Slide	Ball bearing slide



Model	Cabinet	Dimension (D*W*H)mm	Description
GKB40P-4	400	445*365*135	A slanted, stackable stovetop basket
GKB45P-4	450	445*415*135	slanted stackable stovetop basket
GKB50P-4	500	445*470*135	slanted stackable stovetop basket
GKB60P-4	600	445*565*135	slanted stackable stovetop basket

05

MULTIFUNCTIONAL BASE BASKET



STAINLESS STEEL MULTIFUNCTIONAL PUL OUT ORGANIZER

● Material	Stainless steel
● Slide	Concealed slide



Model	Cabinet	Dimension (D*W*H)mm	Description
GMFB30SA	300	425*300*457	Stainless steel multi-functional base cabinet with damping rails
GMFB40SA	400	425*350*457	Stainless steel multi-functional base cabinet with damping rails

STAINLESS STEEL MULTIFUNCTIONAL PULL OUT BASKET

● Material	Stainless steel+plastic
● Finish	Electrolysis+Powder coating
● Slide	Concealed slide



Model	Cabinet	Dimension (D*W*H)mm	Description
GMFB30	300	450*240*485	Flat steel multi-functional base cabinet pull-out basket with damping rail
GMFB35	350	450*295*485	Flat steel multi-functional base cabinet pull-out basket with damping rail
GMFB40	400	450*350*485	Flat steel multi-functional base cabinet pull-out basket with damping rail

2 LAYERS PULL OUT BASE BASKET

● Material	Iron+MDF
● Finish	Powder coating
● Slide	Concealed slide



Model	Cabinet	Dimension (D*W*H)mm	Description
GMFB25MD	250	460*190*545	Two-layer bottom-mounted damping rail cabinet pull-out basket
GMFB30MD	300	460*245*545	Two-layer bottom-mounted damping rail cabinet pull-out basket

GLASS BASE BASKET

● Material	Glass+aluminium+iron
● Finish	Powder coating
● Slide	Concealed slide



Model	Cabinet	Dimension (D*W*H)mm	Description
GMFB30GB	300	425*250*495	Glass cabinet pull-out basket with damping rail
GMFB35GB	350	425*300*495	Glass cabinet pull-out basket with damping rail
GMFB40GB	400	425*350*495	Glass cabinet pull-out basket with damping rail



RICE BOX

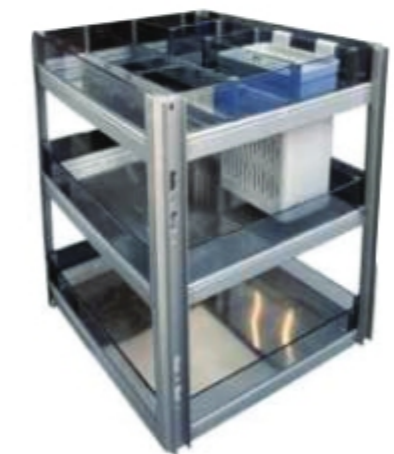
- Material Glass+stainless steel+plastic
- Finish Powder coating



Model	Cabinet	Dimension (D*W*H)mm	Description
GRB35A	350	400*300*645	Built-in rice box
GRB30A	300	430*260*650	Built-in rice box

GLASS MULTIFUNCTIONAL PULL OUT ORGANIZER

- Material Glass+aluminium+iron
- Finish Powder coating
- Slide Concealed slide



Model	Cabinet	Dimension (D*W*H)mm	Description
GMFB30GA	300	435*247*500	Glass multi-functional cabinet pull-out basket
GMFB35GA	350	435*297*500	Glass multi-functional cabinet pull-out basket
GMFB40GA	400	435*347*500	Glass multi-functional cabinet pull-out basket
GMFB45GA	450	435*397*500	Glass multi-functional cabinet pull-out basket

2 LAYERS MDF SIDE PULL OUT BASKET

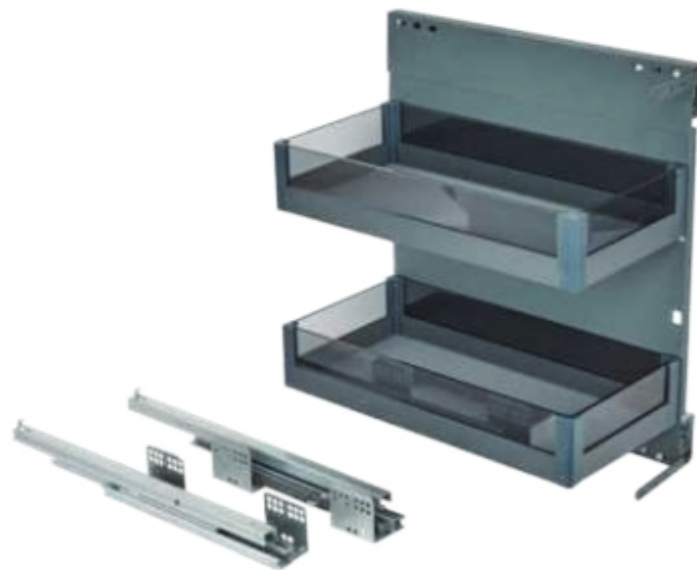
- Material Iron+MDF
- Finish Powder coating
- Slide Concealed slide



Model	Cabinet	Dimension (D*W*H)mm	Description
GSMB15HM	150	460*110*500	MDF two-layer plate side pull basket with damping rail
GSMB20HM	200	460*140*500	MDF two-layer plate side pull basket with damping rail
GSMB25HM	250	460*210*500	MDF two-layer plate side pull basket with damping rail

2 LAYERS GLASS SIDE PULL OUT BASKET

- Material Iron+Glass
- Finish Powder coating
- Slide Concealed slide



Model	Cabinet	Dimension (D*W*H)mm	Description
GSMB20HG	200	460*160*500	Glass double-panel side pull basket with damping rail
GSMB60HG	300	460*260*500	Glass double-panel side pull basket with damping rail

2 LAYERS MDF SIDE PULL OUT BASKET

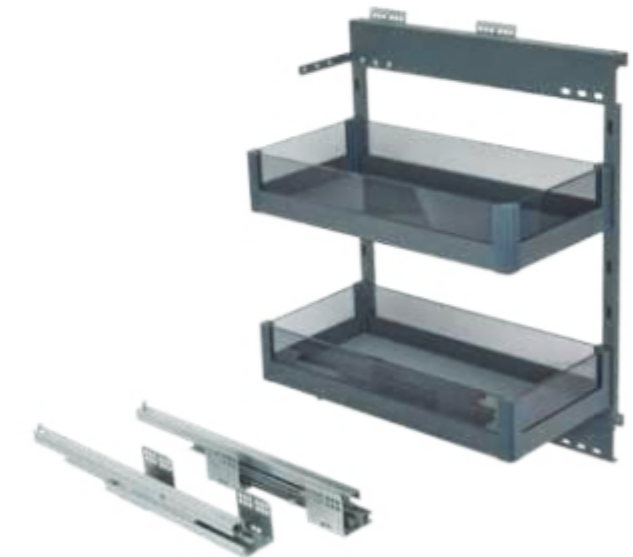
- Material Iron+MDF
- Finish Powder coating
- Slide Concealed slide



Model	Cabinet	Dimension (D*W*H)mm	Description
GSMB15G-2	150	460*110*550	MDF two-layer side pull-out basket with damping rail
GSMB20G-2	200	460*160*550	MDF two-layer side pull-out basket with damping rail
GSMB25G-2	250	460*210*550	MDF two-layer side pull-out basket with damping rail

2 LAYERS GLASS SIDE PULL OUT BASKET

- Material Iron+Glass
- Finish Powder coating
- Slide Concealed slide



Model	Cabinet	Dimension (D*W*H)mm	Description
GSMB20GG	200	460*160*550	Glass double-panel side pull basket with damping rail
GSMB30GG	300	460*260*550	Glass double-panel side pull basket with damping rail

2 LAYERS PULL OUT BASE BASKET

● Material	Iron
● Finish	Chrome plated
● Slide	Ball bearing slide



Model	Cabinet	Dimension (D*W*H)mm	Description
GMF50D-DS	500	559*451*483	Double-layer steel ball bearing rail cabinet pull basket
GMF60D-DS	600	559*527*483	Double-layer steel ball bearing rail cabinet pull basket

MULTIFUNCTIONAL PULL OUT BASKET

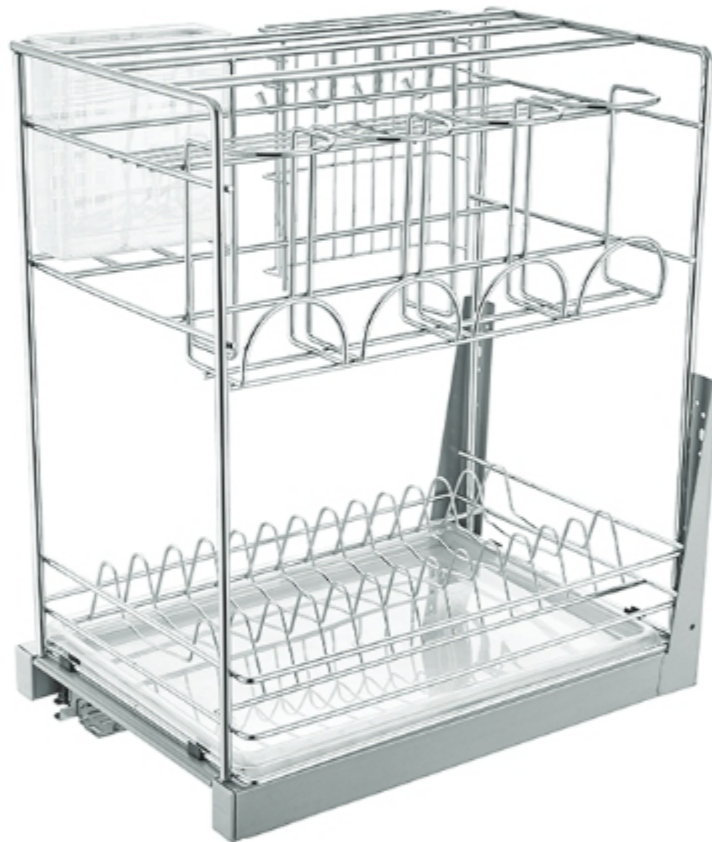
● Material	Iron+plastic
● Finish	Chrome plated
● Slide	Concealed slide



Model	Cabinet	Dimension (D*W*H)mm	Description
GMFB40D	400	450*355*450	Multifunctional base cabinet pull-out basket with damping rail

MULTIFUNCTIONAL PULL OUT BASE BASKET

● Material	Iron+plastic
● Finish	Chrome plated
● Slide	Concealed slide



Model	Cabinet	Dimension (D*W*H)mm	Description
GMFB30E	300	450*235*530	Multifunctional damping rail cabinet pull-out basket
GMFB35E	350	450*295*530	Multifunctional damping rail cabinet pull-out basket
GMFB40E	400	450*335*530	Multifunctional damping rail cabinet pull-out basket

PULL OUT BASE BASKET

● Material	Iron+linen
● Finish	Chrome plated
● Slide	Concealed slide



Model	Cabinet	Dimension (D*W*H)mm	Description
GMFB30K	300	450*250*530	Cloth bag bottom damping rail pull basket
GMFB40K	400	450*350*530	Cloth bag bottom damping rail pull basket

MULTIFUNCTIONAL PULL OUT BASE BASKET

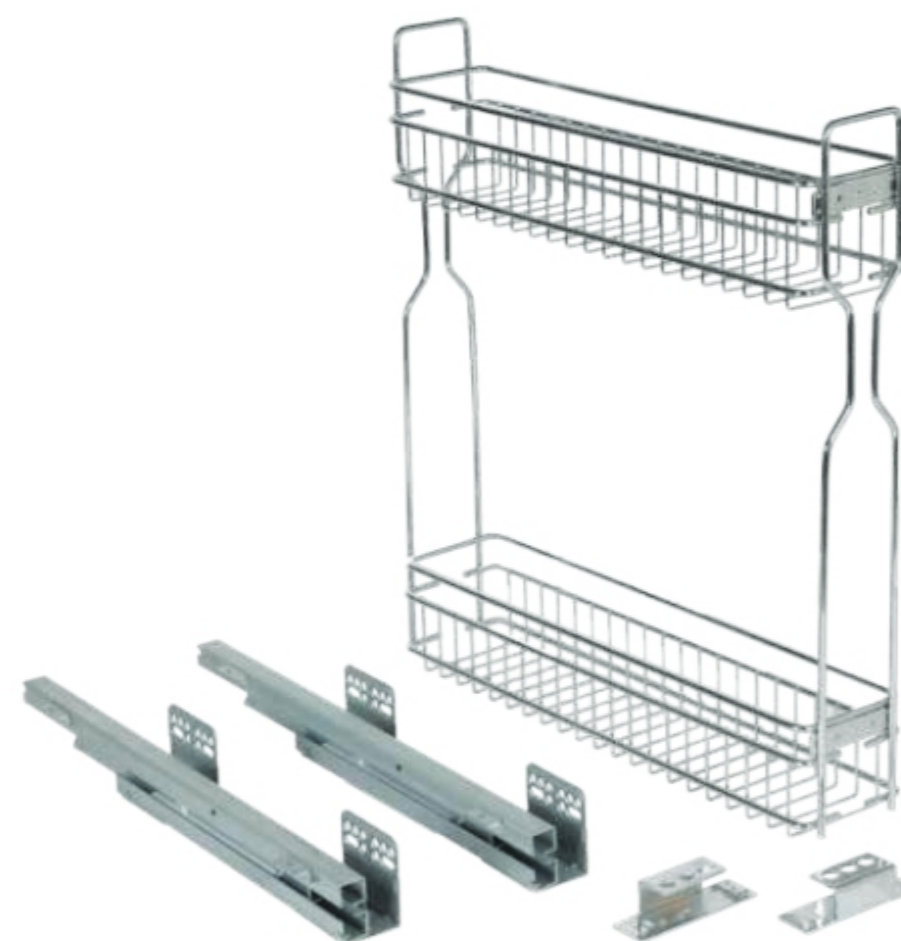
● Material	Iron+plastic
● Finish	Chrome plated
● Slide	Concealed slide



Model	Cabinet	Dimension (D*W*H)mm	Description
GMFB30P	300	460*240*480	Multifunctional damping rail cabinet pull-out basket
GMFB35P	350	460*290*480	Multifunctional damping rail cabinet pull-out basket
GMFB40P	400	460*340*480	Multifunctional damping rail cabinet pull-out basket
GMFB45P	450	460*390*480	Multifunctional damping rail cabinet pull-out basket

2 LAYERS SIDE PULL OUT BASKET

● Material	Iron
● Finish	Chrome plated
● Slide	Concealed slide



Model	Cabinet	Dimension (D*W*H)mm	Description
GSMB15F	150	450*95*500	Double-layer side-damped rail pull basket
GSMB20F	200	450*145*500	Double-layer side-damped rail pull basket
GSMB30F	300	450*245*500	Double-layer side-damped rail pull basket

2 LAYERS SIDE PULL OUT BASKET

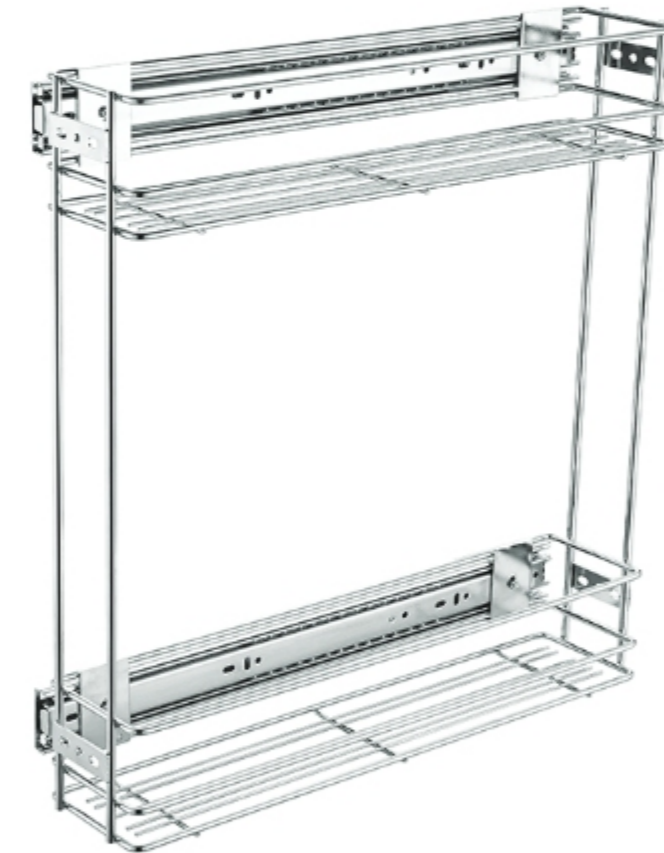
● Material	Iron
● Finish	Chrome plated
● Slide	Ball bearing slide



Model	Cabinet	Dimension (D*W*H)mm	Description
GSMB15D	150	440*100*435	Double-layer side-mounted steel ball bearing pull basket
GSMB20D	200	440*150*435	Double-layer side-mounted steel ball bearing pull basket
GSMB25D	250	440*210*435	Double-layer side-mounted steel ball bearing pull basket
GSMB30D	300	440*245*435	Double-layer side-mounted steel ball bearing pull basket

2 LAYERS SIDE PULL OUT BASKET

● Material	Iron
● Finish	Chrome plated
● Slide	Ball bearing slide



Model	Cabinet	Dimension (D*W*H)mm	Description
GSMB15E	150	460*110*480	Double-layer side-mounted steel ball bearing pull basket
GSMB20E	200	460*160*480	Double-layer side-mounted steel ball bearing pull basket

2 LAYERS MDF SIDE PULL OUTBASKET

● Material	Iron+MDF
● Finish	Powder coating
● Slide	Concealed slide



Model	Cabinet	Dimension (D*W*H)mm	Description
GSMB15ME	150	470*102*525	Side-mounted double-layer plate damping rail pull basket
GSMB20ME	200	470*152*525	Side-mounted double-layer plate damping rail pull basket

PULL OUT WASHING BASKET

● Material	Iron+plastic
● Finish	Chrome plated
● Slide	Concealed slide



Model	Cabinet	Dimension (D*W*H)mm	Description
GMFB35N	350	450*280*410	washing tool basket

2 LAYERS PULL OUT BASE BASKET

● Material	Iron
● Finish	Chrome plated
● Slide	Concealed slide



Model	Cabinet	Dimension (D*W*H)mm	Description
GMFB15M	150	450*105*490	Double-layer bottom-mounted damping rail pull basket
GMFB20M	200	450*150*490	Double-layer bottom-mounted damping rail pull basket

2 LAYERS SIDE PULL OUT FLAT WIREBASKET

● Material	Iron
● Finish	Powder coating
● Slide	Ball bearing slide



Model	Cabinet	Dimension (D*W*H)mm	Description
GSMB15E1	150	465*105*500	Two-layer side-mounted flat wire ball bearing rail side pull basket
GSMB20E1	200	465*155*500	Two-layer side-mounted flat wire ball bearing rail side pull basket

TRIPLE SIDE PULL OUT BASKET

● Material	Iron
● Finish	Chrome plated
● Slide	Ball bearing slide



Model	Cabinet	Dimension (D*W*H)mm	Description
GSMB15B-3	150	450*100*550	Three-layer side pull basket
GSMB20B-3	200	450*150*550	Three-layer side pull basket
GSMB25B-3	250	450*200*550	Three-layer side pull basket

KITCHEN BASE BASKET

● Material	Iron
● Finish	Chrome plated
● Slide	Concealed slide



Model	Cabinet	Dimension (D*W*H)mm	Description
GMFB20L-1	200	450*150*495	2-layer simple base cabinet

2 LAYERS STAINLESS STEEL DISH RACK WITH TRAY AND ALUMINUM TUBE

● Material	Stainless steel +aluminum+plastic
● Finish	Electrolysis



Model	Cabinet	Dimension (D*W*H)mm	Description
GDR60EVS	600	263*565*120/40	2-tier stainless steel dish rack with water tray and aluminum tubing
GDR70EVS	700	263*665*120/40	2-tier stainless steel dish rack with water tray and aluminum tubing
GDR80EVS	800	263*765*120/40	2-tier stainless steel dish rack with water tray and aluminum tubing
GDR90EVS	900	263*865*120/40	2-tier stainless steel dish rack with water tray and aluminum tubing

06

DISH RACK AND LAZY SUSAN

STAINLESS STEEL DISH RACK

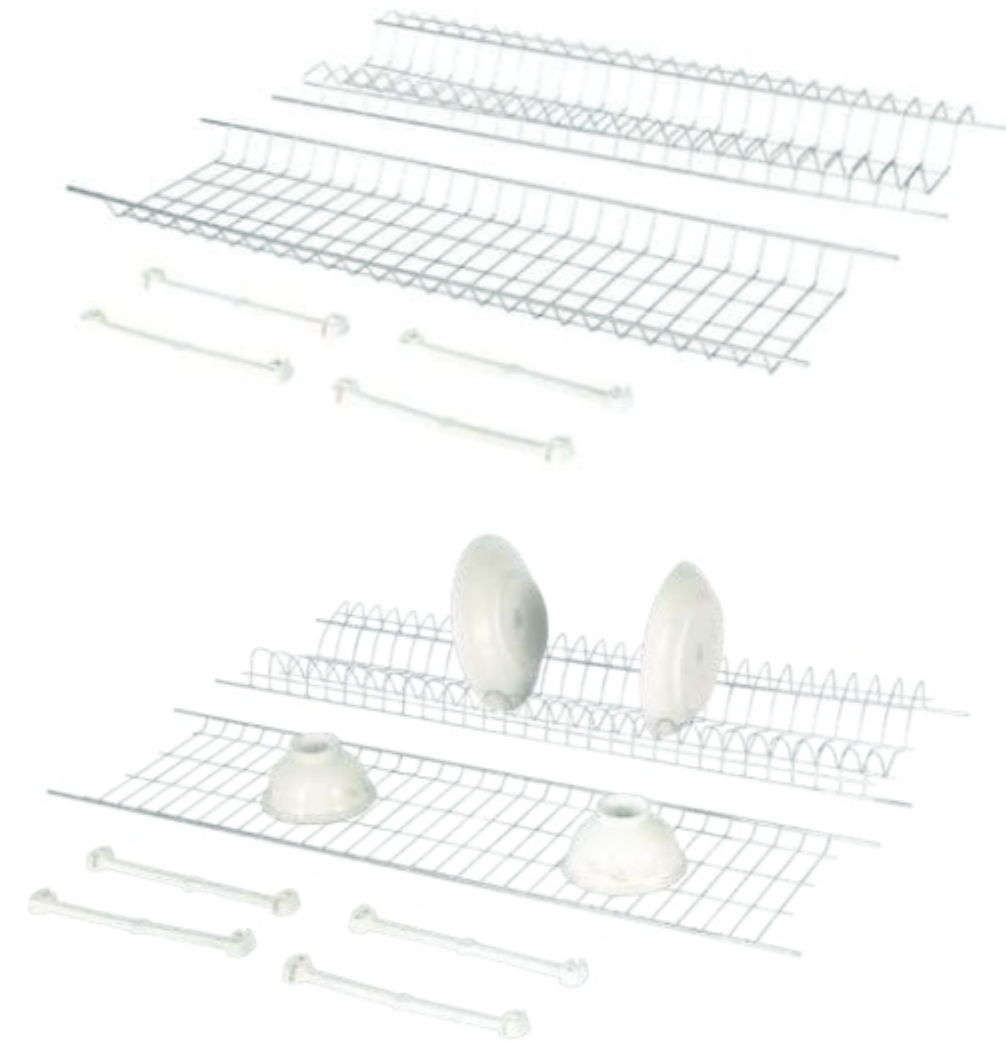
● Material	Stainless steel
------------	-----------------



Model	Cabinet	Dimension (D*W*H)mm	Description
GDR50ASS	500	280*465*65	Stainless steel dish rack
GDR60ASS	600	280*565*65	Stainless steel dish rack
GDR70ASS	700	280*665*65	Stainless steel dish rack
GDR80ASS	800	280*765*65	Stainless steel dish rack
GDR90ASS	900	280*865*65	Stainless steel dish rack
GDR100ASS	1000	280*965*65	Stainless steel dish rack

2 LAYERS DISH RACK

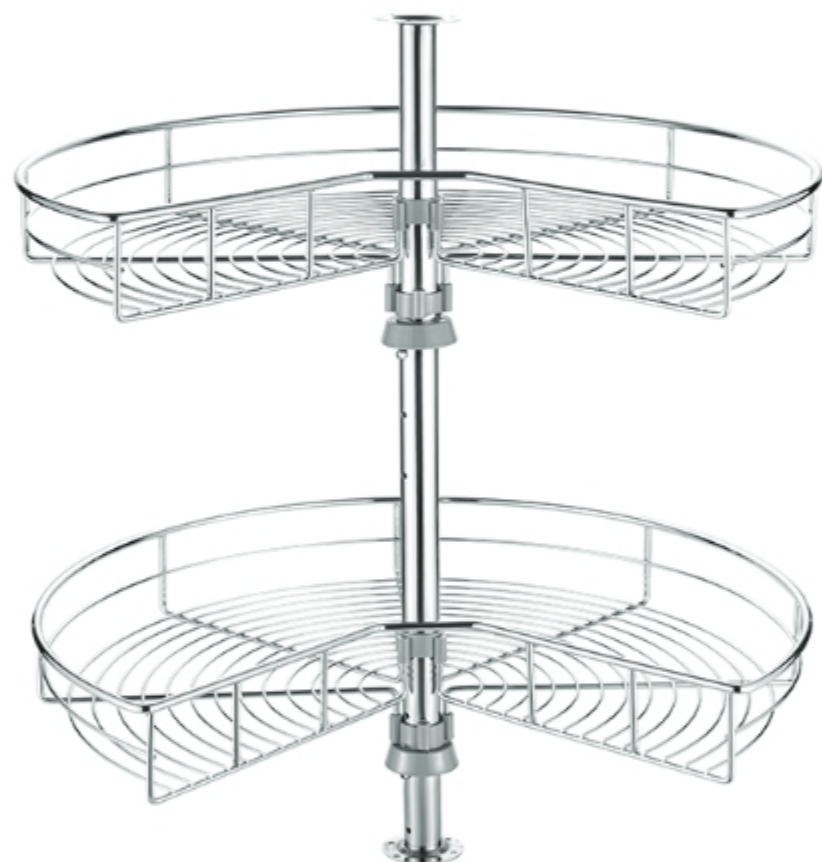
● Material	Iron+plastic
● Finish	Chrome plated



Model	Cabinet	Dimension (D*W*H)mm	Description
GDR60F	600	240*560*55/25	Two-tier dish rack (Saudi Arabia style)
GDR70F	700	240*660*55/25	Two-tier dish rack (Saudi Arabia style)
GDR80F	800	240*760*55/25	Two-tier dish rack (Saudi Arabia style)
GDR90F	900	240*860*55/25	Two-tier dish rack (Saudi Arabia style)

270° REVOLVING WIRE BASKET

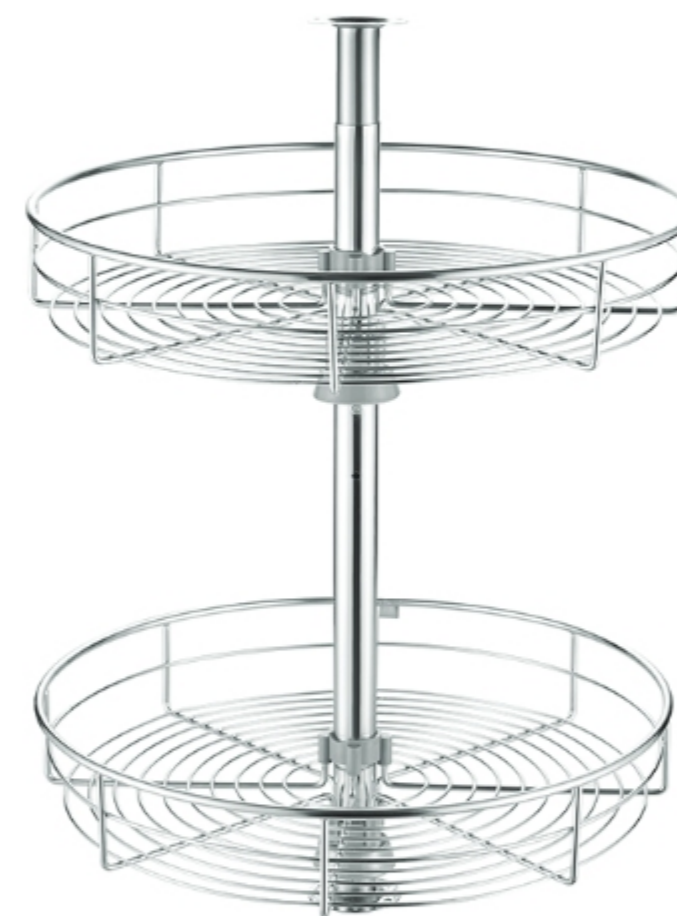
● Material	Iron
● Finish	Chrome plated



Model	Cabinet	Dimension (D*W*H)mm	Description
GLS7027-1	700	§600*565~780	270 iron wire turntable
GLS8027-1	800	§710*565~780	270 iron wire turntable
GLS9027-1	900	§800*565~780	270 iron turntable

360° REVOLVING WIRE BASKET

● Material	Iron
● Finish	Chrome plated



Model	Cabinet	Dimension (D*W*H)mm	Description
GLS5036-1	500	§440*565~780	360° wire basket
GLS6036-1	600	§540*565~780	360° wire basket
GLS7036-1	700	§600*565~780	360° wire basket
GLS8036-1	800	§700*565~780	360° wire basket
GLS9036-1	900	§800*565~780	360° wire basket

270° REVOLVING WIRE BASKET

- Material Iron
- Finish Chrome plated



Model	Cabinet	Dimension (D*W*H)mm	Description
GLS7027-2	700	§600*565~780	270° Plastic Rotary Basket
GLS8027-2	800	§710*565~780	270° Plastic Rotary Basket
GLS9027-2	900	§800*565~780	270° Plastic Rotary Basket

270° REVOLVING PLASTIC BASKET

- Material Iron+plastic
- Finish Chrome plated



Model	Cabinet	Dimension (D*W*H)mm	Description
GPS7027-1	700	§605*525-970	270° Plastic Rotary Basket
GPS8027-1	800	§703*525-970	270° Plastic Rotary Basket
GPS9027-1	900	§800*525-970	270° Plastic Rotary Basket



07

KITCHEN WASTE BIN

PULL OUT WASTE BIN

- Material Iron
- Finish Powder coating
- Slide Concealed slide



Model	Cabinet	Dimension (D*W*H)mm	Description
GTC35S	300	550*265*530	35L single-bin trash can with storage basket and damping rail

DOUBLE PULL OUT WASTE BIN

- Material Plastic+iron
- Finish Chrome plated
- Slide Ball bearing slide



Model	Cabinet	Dimension (D*W*H)mm	Description
GTC35D-6	450	550*350*500	35L*2 Double-Barrel Steel Ball-Pattern Trash Can

DOUBLE PULL OUTWASTE BIN

- Material Plastic+iron
- Finish Powder coating
- Slide Concealed slide



Model	Cabinet	Dimension (D*W*H)mm	Description
GTC35D-8	450	540*370*530	35L*2 American-style damping rail double bin trash can

DOUBLE PULL OUT WASTE BIN

● Material	Plastic+iron
● Finish	Powder coating
● Slide	Ball bearing slide



Model	Cabinet	Dimension (D*W*H)mm	Description
GTC18D	400	495*350*415	18*2L double bin trash can with steel ball bearing rail

DOUBLE PULL OUT WASTE BIN

● Material	Plastic+iron
● Finish	Powder coating
● Slide	Ball bearing slide



Model	Cabinet	Dimension (D*W*H)mm	Description
GTC20D	400	470*335*380	20L*2 double bin trash can with steel ball bearing rail

DOUBLE PULL OUT WASTE BIN

● Material	Plastic+iron
● Finish	Powder coating
● Slide	Concealed slide



Model	Cabinet	Dimension (D*W*H)mm	Description
GTC25D-A	400	470*335*490	25L*2 reinforced double trash can with damping rail

REMOVABLE TYPE DOUBLE PULL OUT WASTE BIN

● Material	Plastic+iron
● Finish	Powder coating
● Slide	Concealed slide



Model	Cabinet	Dimension (D*W*H)mm	Description
GTC20D-3	400	470*335*420/500	20L*2 Double Bin with Adjustable Damping Rail (Removable Model)

DOUBLE PULL OUT WASTE BIN

● Material	Plastic+iron
● Finish	Chrome plated+Powder coating
● Slide	Concealed slide



Model	Cabinet	Dimension (D*W*H)mm	Description
GTC35D-4	450	555*372*520	35L*2 Double-Bag American-Style Concealed Rail Trash Can

DOUBLE PULL OUT WASTE BIN

● Material	Plastic+iron
● Finish	Powder coating
● Slide	Concealed slide



Model	Cabinet	Dimension (D*W*H)mm	Description
GTC35D-1M	450	505*415*515	35*21 Lotus Style Side-Loading Lani Double Bin Garbage Disposal

DOUBLE PULL OUT WASTE BIN

● Material	Plastic+iron
● Finish	Chrome plated+Powder coating
● Slide	Ball bearing slide



Model	Cabinet	Dimension (D*W*H)mm	Description
GTC35D-2	450	550*400*505	35*2L Double-Bin Trash Can with Adjustable Door Panel and Ball Bearing Rail

DOUBLE PULL OUT WASTE BIN

● Material	Plastic+iron
● Finish	Powder coating
● Slide	Concealed slide



Model	Cabinet	Dimension (D*W*H)mm	Description
GTC25D	450	490*370*490	25L*2 American-style damping rail double bin trash can

WINE GLASS HOLDER

- Material Iron
- Finish Chrome plated



Model	Dimension (D*W*H)mm	Description
GGR01	340*115*63	NWÓo÷ A row of wine glass racks
GGR02	340*215*63	îWÓo÷ Two-row wine glass rack
GGR03	340*325*63	OWÓo÷ Three row wine glass rack
GGR04	340*435*63	BWÓo÷ Four-column wine glass rack

CUP RACK

- Material Iron
- Finish Chrome plated



Model	Dimension (D*W*H)mm	Description
GDR03W	320*155*215	cup holder

WIRE BASKET

- Material Iron
- Finish Chrome plated

Model	Dimension (D*W*H)mm	Description
GDB06W	365*255*140	drain basket

DISH BASKET

- Material Iron
- Finish Chrome plated



Model	Dimension (D*W*H)mm	Description
GDB02W	345*250*70	drain basket

DISH RACK

- Material Iron
- Finish Chrome plated



Model	Dimension (D*W*H)mm	Description
GDR01W	305*205*105	Countertop dish rack

TOWEL RACK

- Material Iron
- Finish Chrome plated



Model	Cabinet	Dimension (D*W*H)mm	Description
GHR03	/	225*400*325	Daily towel rack

3 LAYERS OIL PAPER RACK

- Material Iron
- Finish Chrome plated



Model	Cabinet	Dimension (D*W*H)mm	Description
GHR08	/	155*330*365	3-layer oil paper rack

2 LAYERS RACK

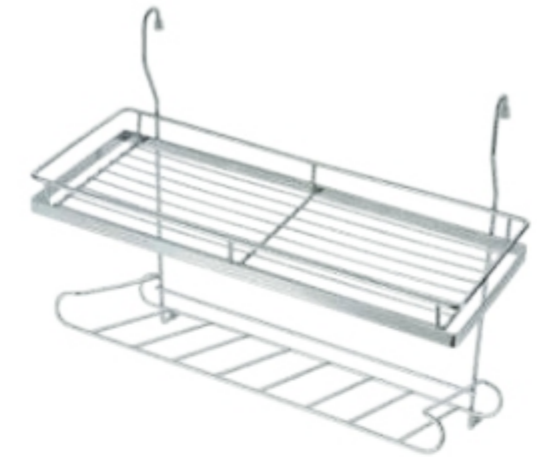
- Material Iron
- Finish Chrome plated



Model	Dimension (D*W*H)mm	Description
GHR201-W	350*125*350	2-layer daily use rack

2 LAYERS RACK

- Material Iron
- Finish Chrome plated



Model	Dimension (D*W*H)mm	Description
GR201	195*450*390	2-layer daily use rack

2 LAYERS RACK

- Material Iron
- Finish Chrome plated



Model	Dimension (D*W*H)mm	Description
GR202	140*350*310	2-layer daily use rack

2 LAYERS RACK

- Material Iron
- Finish Chrome plated



Model	Dimension (D*W*H)mm	Description
GHR04	160*350*320	2-layer daily use rack

FRUIT RACK

- Material Iron
- Finish Chrome plated



Model	Dimension (D*W*H)mm	Description
GFB04-W	360*236*127	fruit basket

FRUIT RACK

- Material Iron
- Finish Chrome plated



Model	Dimension (D*W*H)mm	Description
GFB01-W	295*305*530	fruit basket

PULL OUT GAS HOLDER BASE

- Material Iron
- Finish Powder coating
- Slide Ball bearing slide



Model	Cabinet	Dimension (D*W*H)mm	Description
GGR01	400	450*340*70	Gas tank base

DRAIN PAN FOR SINK

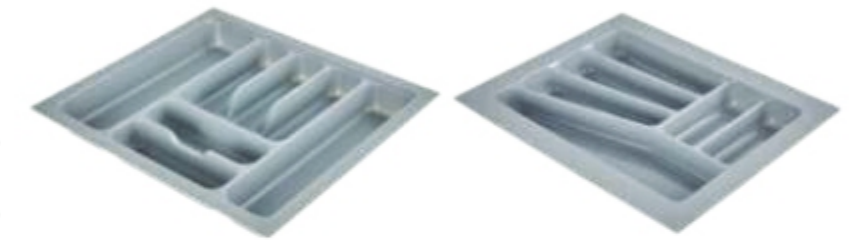
- Material Plastic



Model	Dimension (D*W*H)mm	Description
GSK30	360*250*100	Plastic drain rack for sink

CUTLERY TRAY

- Material Plastic



Model	Cabinet	Dimension (D*W*H)mm	Description
GFS45-1	450	480*390*55	Cutlery tray
GFS50-1	500	480*430*55	Cutlery tray
GFS60-1	600	480*530*55	Cutlery tray
GFS80-1	800	480*730*55	Cutlery tray

PULL OUT HOOK HANGER

- Material Iron
- Finish Powder coating
- Slide Ball bearing slide



Model	Cabinet	Dimension (D*W*H)mm	Description
GHK01	450	490*90*125	Pull-out hook

20+ INDUSTRY EXPERIENCE



LAHKIRI & KAMOUCHE
HARDWARE - FURNITURE & ACCESSORIES



15+ Manufacturing Custom Experience



Professional R&D Department



OEM/EDM Customized Service

